

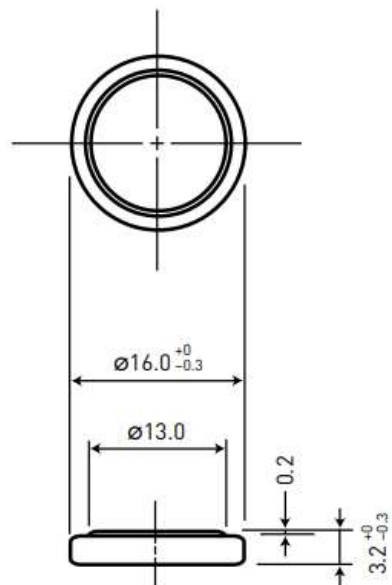
Product Datasheet

COIN LITHIUM

CR1632



CR1632

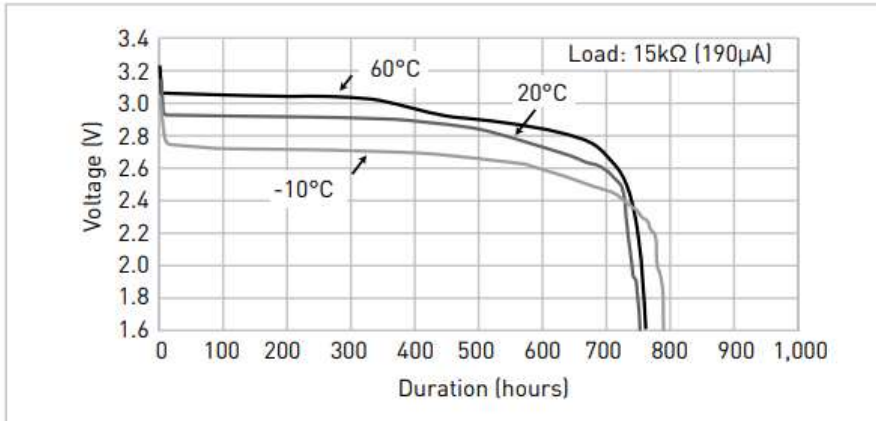


IEC Dimensions (mm)		
Dimension	Maximum	Minimum
∅	16	15,7
H	3,2	2,9

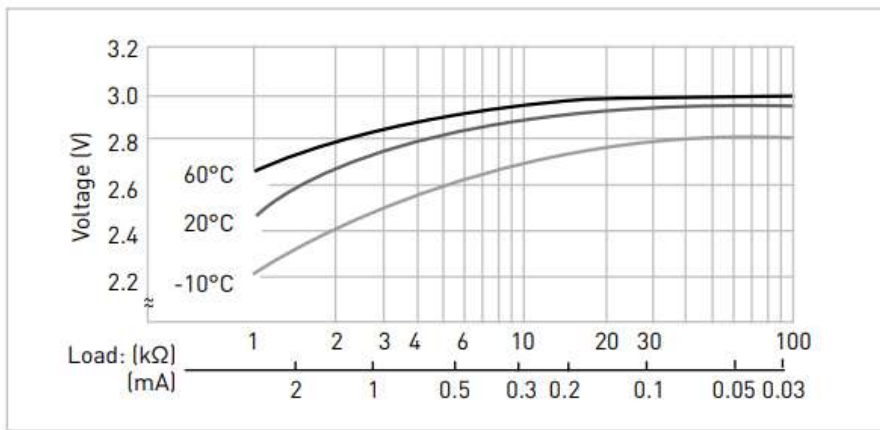
Name	CR1632
Type	Lithium
Nominal Voltage	3 V
Made in	Indonesia
Average weight	1,8 g
Capacity (minimum)	140 mAh
Operating temperature	-30°C +60°C

Typical characteristics

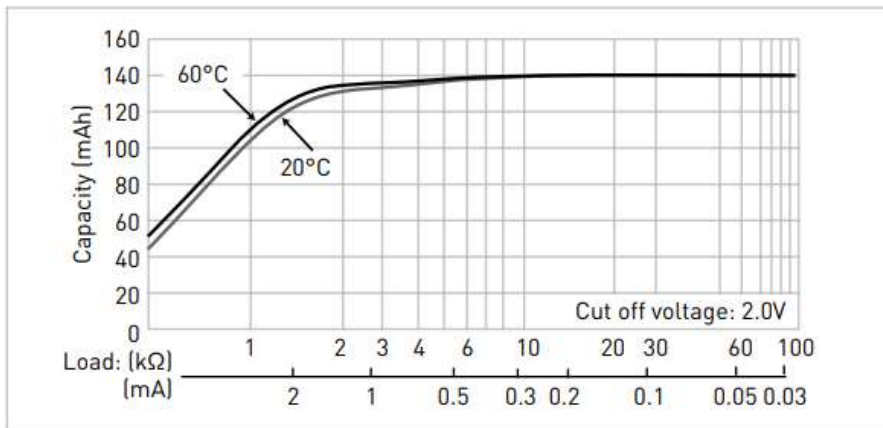
DISCHARGE TEMPERATURE CHARACTERISTICS



OPERATING VOLTAGE VS. DISCHARGE CURRENT



CAPACITY VS. LOAD RESISTANCE



Copyright© Advance Power Solutions NV 2022 — All rights reserved. The information contained herein is believed to be correct. However no warranty is made, either expressed or implied regarding the accuracy or the results to be obtained from the use of such information. Test results are according to IEC conditions. Capacities of batteries are depending on drain, temperature and cut-off voltage. Data are subject to change without prior notification.
October 2022.